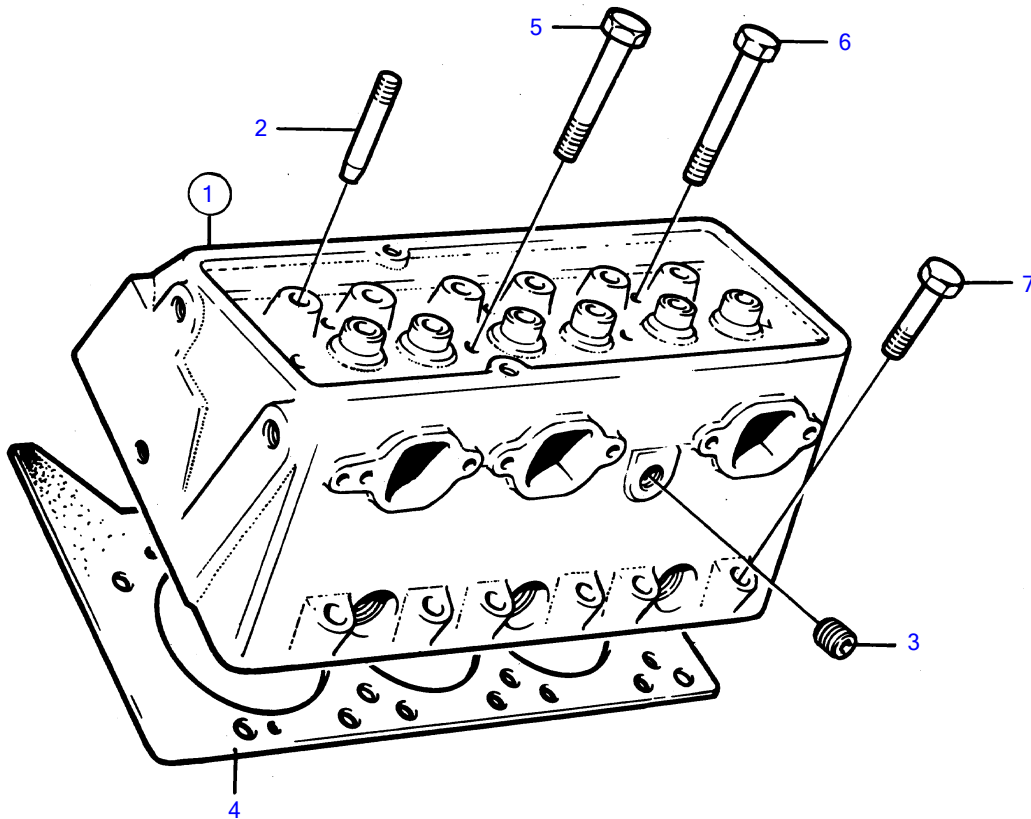
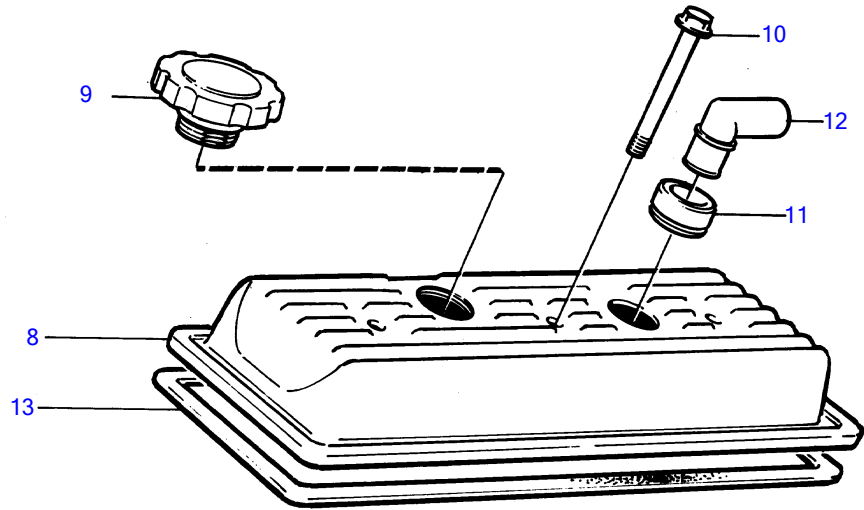


432A, 434A



11336

432A, 434A

REF	PART NO.	QTY	DESCRIPTION	SEE SEC.	NOTES
1	(857570)	2	Cylinder head		Included in basic engine, See group 10A, Obsolete part
2	857244	12	• Stud	12456	
	841779	2	• Stud		
3	968145	2	Plug		
4	856371	2	Gasket		
5	835077	10	Screw		
6	835079	4	Screw		
7	835078	12	Screw		
8	856398	2	Valve cover		
9	856442	2	Oil filler cap		
10	856400	6	Screw		
11	835415	2	Rubber bushing		See group 2C
12	855902	2	Hose attachment		See group 2C
13	856401	2	Gasket		